

SecuWeb, *towards a new and safer internet*

Technical Workshop

Ben De Meester, Gertjan De Mulder, Wim Van Renterghem

ben.demeester@ugent.be

gertjan.demulder@ugent.be

wim.van.renterghem@howest.be

Interreg  Cofinancé par
l'Union Européenne
Medegefinancierd door
de Europese Unie

France - Wallonie - Vlaanderen 

CrossS3
SecuWeb



Work for you!

We can implement free* Proof-of-concepts if they are relevant to SecuWeb topics

i.e., you bring the use case, we implement (rough budget: 1PM)

Interreg



Cofinancé par
l'Union Européenne
Medegefinancierd door
de Europese Unie

France - Wallonie - Vlaanderen



CrossS3

SecuWeb



Based on the current demonstrators:

- Gather feedback
- Find out if you have similar issues
- Draft potential proof-of-concept ideas
- Follow-up for details and planning if interested

Interreg



Cofinancé par
l'Union Européenne
Medegefinancierd door
de Europese Unie

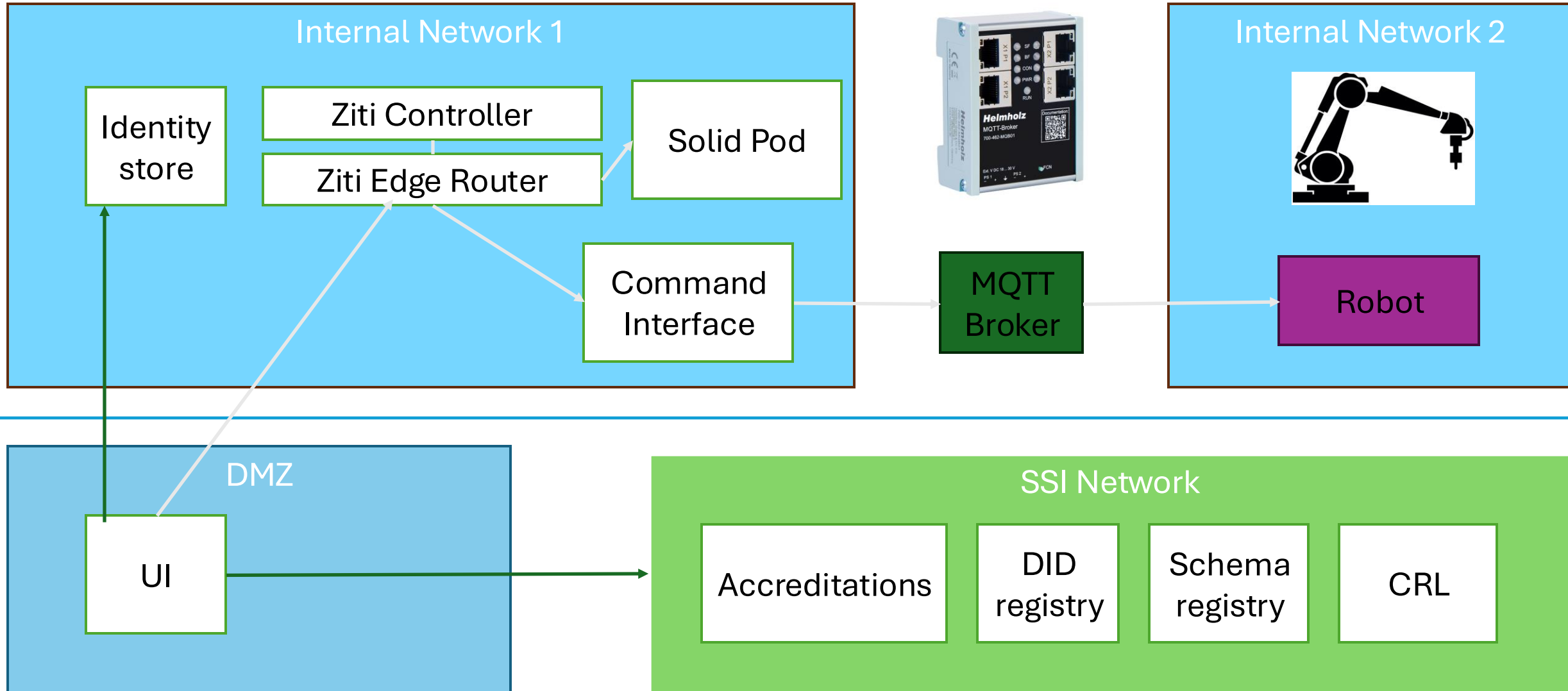
France - Wallonie - Vlaanderen



CrossS3

SecuWeb

Secure identity and access



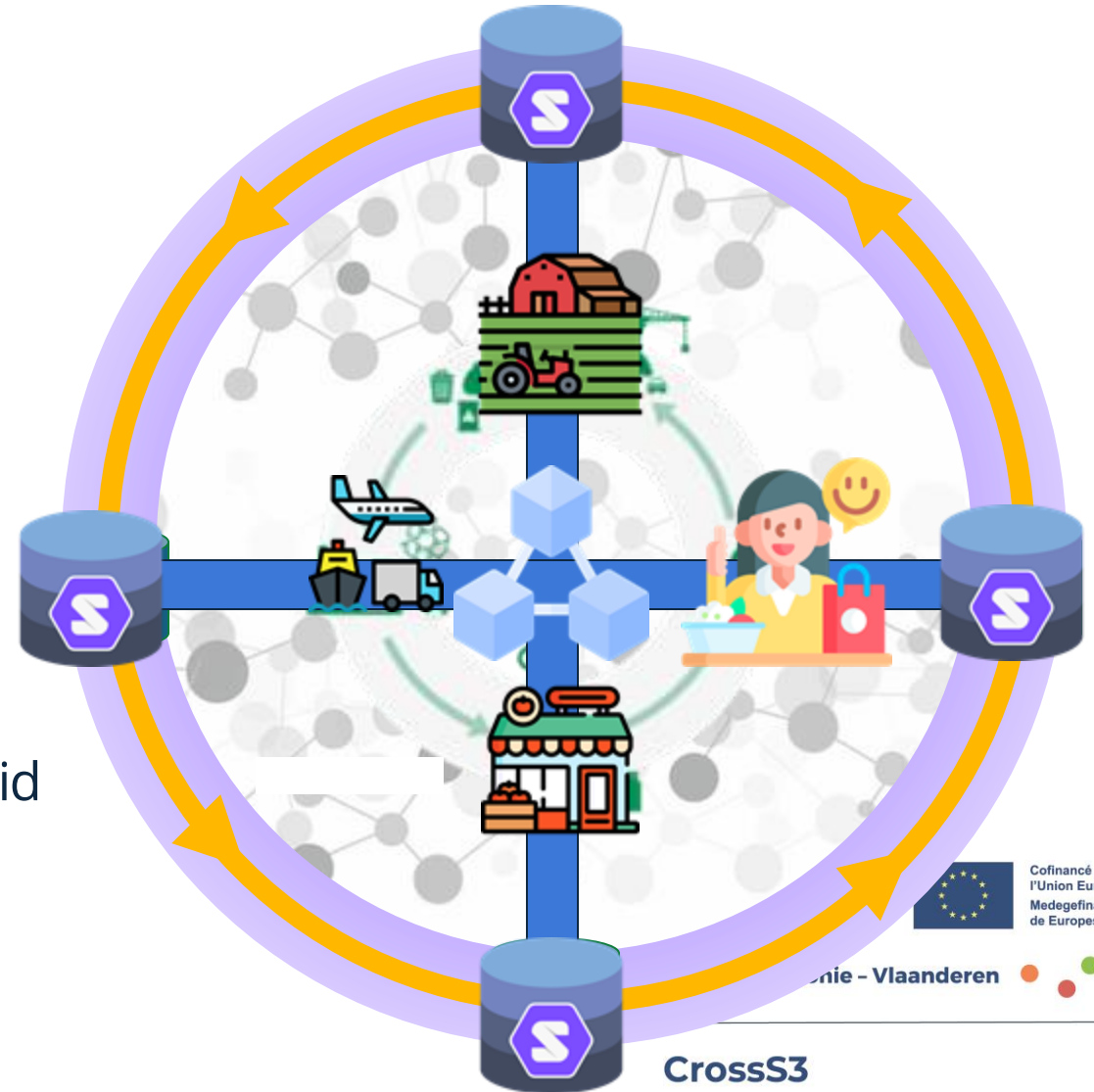
Transparent Food Supply Chain

Information needs to flow between actors in a way that that increases **traceability**, **transparency**, and **efficiency** in FSCs.

While the actors can **control** their data and **trust** the data of others.

By storing their data on a personal data store, or Solid Pod.

By verifying the **authenticity** and **integrity** of that data.



Cofinancé par l'Union Européenne
Medegefinancierd door de Europese Unie

onie - Vlaanderen

CrossS3
SecuWeb

SecuWeb, *towards a new and safer internet*

Technical Workshop

Ben De Meester, Gertjan De Mulder, Wim Van Renterghem

ben.demeester@ugent.be

gertjan.demulder@ugent.be

wim.van.renterghem@howest.be

Interreg  Cofinancé par
l'Union Européenne
Medegefinancierd door
de Europese Unie

France - Wallonie - Vlaanderen 

CrossS3
SecuWeb